

THIS DRAWING IS UNPUBLISHED. RELEASED FOR PUBLICATION
 © COPYRIGHT BY TYCO ELECTRONICS CORPORATION. ALL RIGHTS RESERVED.

LOC	DIST	REVISIONS			
P	LTR	DESCRIPTION	DATE	DWN	APVD
GP	00	0	RELEASED PER EC 0S13-0207-05	28JUN05	SW JG

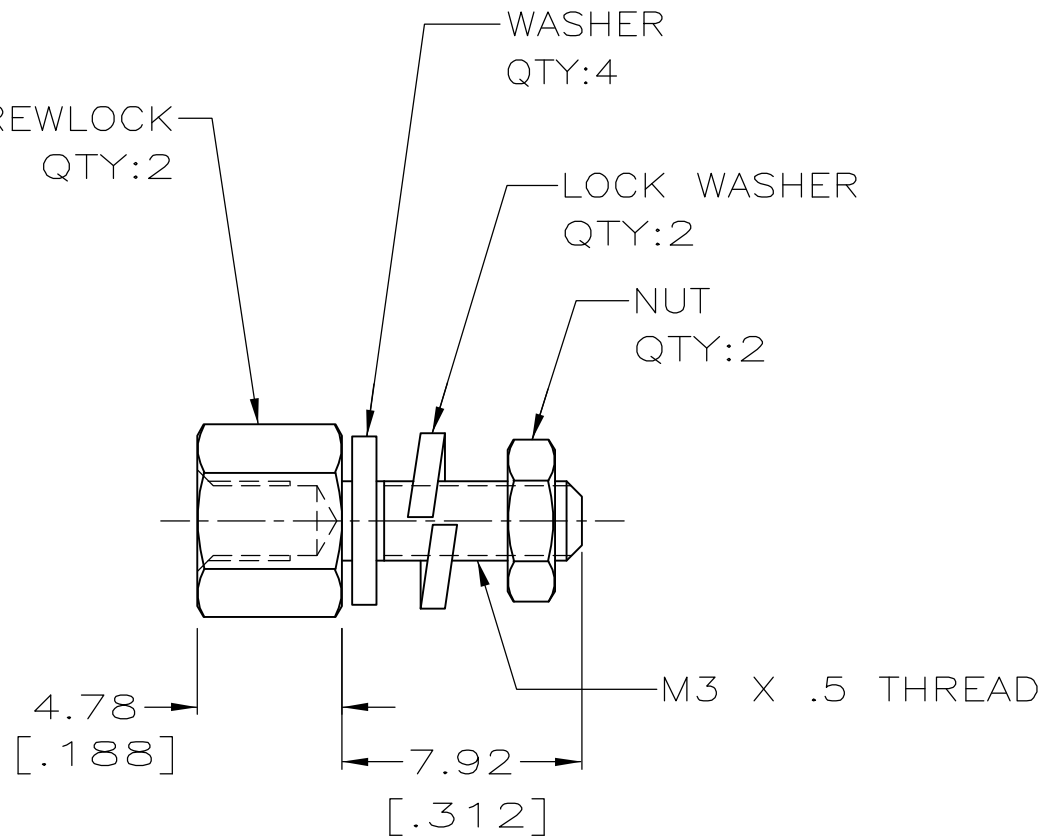
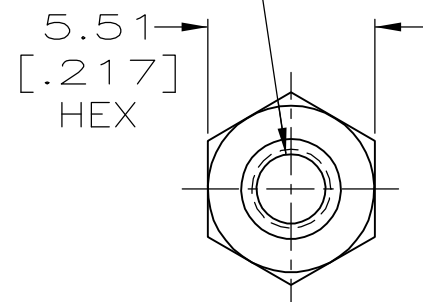
M3 X .5 THREAD
 3.05 MIN DEPTH
 [.120]

FEMALE SCREWLOCK
 QTY:2

WASHER
 QTY:4

LOCK WASHER
 QTY:2

NUT
 QTY:2



1 ZINC PLATED .000200-.000400 THICK,
 YELLOW CHROMATE COATING.

2 ZINC PLATED .000200-.000400 THICK,
 CLEAR CHROMATE COATING.

3. PARTS PACKAGED UNASSEMBLED.

4. PARTS PACKED AS A UNIT KIT.

2	5207872-3
1	5207872-1
FINISH	PART NUMBER

THIS DRAWING IS A CONTROLLED DOCUMENT.		DWN S.WAITMAN 28JUN05	Tyco Electronics Corporation Harrisburg, Pa 17105-3608		
DIMENSIONS: mm [INCHES]		CHK C.ROHDE 28JUN05			
TOLERANCES UNLESS OTHERWISE SPECIFIED:		APVD M.WALMSLEY 28JUN05	NAME SCREWLOCK KIT, FEMALE, METRIC, AMPLIMITE		
		PRODUCT SPEC	-		
MATERIAL COLD ROLLED STEEL		FINISH SEE TABLE	APPLICATION SPEC	-	
		WEIGHT -	SIZE A3	CAGE CODE 00779	DRAWING NO C-5207872
CUSTOMER DRAWING			RESTRICTED TO	-	
			SCALE 4:1	SHEET 1 OF 1	REV 0